

# Pipe Size Fittings

1.1



Removal from the system is not required  
EACH FITTINGS PACKAGING HAS A BARCODE

# Catalog

Table of Contents page 79—83



## Pipe Size Fittings

### Product Description&Specification...79

#### Adapters

19MPX.....	5413	.....	81
19MPV.....	5414	.....	81
19WX.....	5416	.....	82

#### Ferrules

14WMV.....	5409	.....	80
14WMX.....	5410	.....	80
L14AM7V.....	5411	.....	80
L14AMX.....	5412	.....	81

#### Solid End Caps

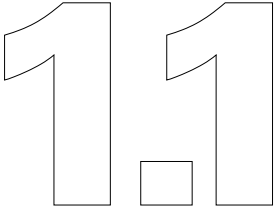
16AMV.....	5415	.....	82
------------	------	-------	----

#### Clamps

13MHHV.....	5417	.....	82
13MHPV.....	5418	.....	83

#### PIPE Hex Hanger

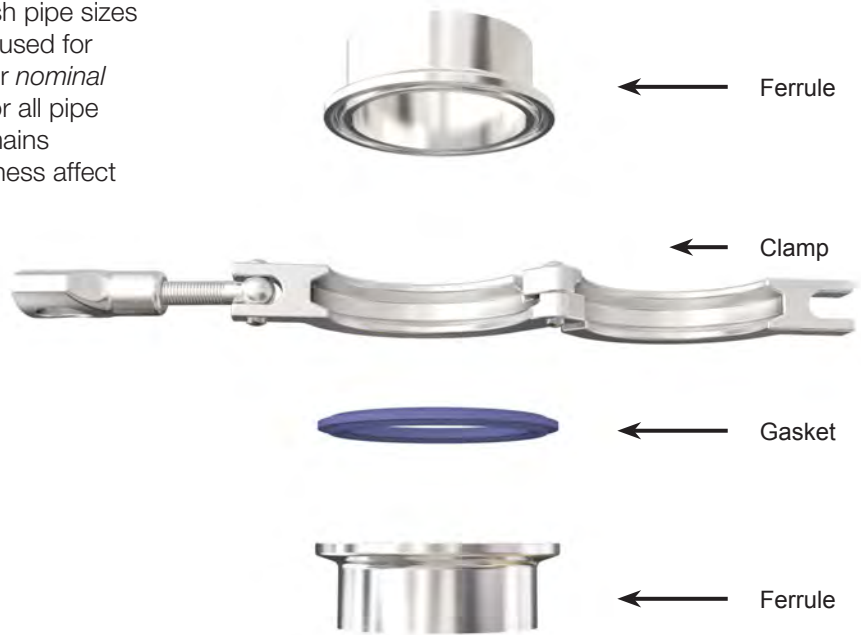
24PV.....	5419	.....	83
24RV.....	5420	.....	83



## Pipe Size Fittings

This section contains pipe materials. Please note in sizes 1/2" through 12" pipe is known by its nominal inside diameter, which differs from its actual inside diameter. To distinguish pipe sizes from actual measured diameters as used for tube, the terms *iron pipe size* (IPS) or *nominal pipe size* (NPS) are usually used. For all pipe sizes, the outside diameter (OD) remains constant; the variations in wall thickness affect the inside diameter (ID).

### A Complete Pipe Clamp Connection



GEMO Pipe Size Fittings meet



requirements.

### PIPE SIZE FITTINGS SPECIFICATIONS....

Size Range: 1" OD through 6" OD

Materials: T304, T316L

Surface Finish:

Mechanically Polished

Internal 20Ra (0.51µm),

External 32Ra (0.8µm)

Dimensions of Stainless Steel Pipe given in inches

Nominal Pipe Size	Outside Diameter	Nominal Wall Thickness (inches)	
		inch(mm)	
		schedule 5S	schedule 10S
1"	1.32(33.4)	.065(1.65)	.109(2.77)
1½"	1.90(48.3)	.065(1.65)	.109(2.77)
2"	2.38(60.3)	.065(1.65)	.109(2.77)
2½"	2.88(73.0)	.083(2.11)	.120(3.05)
3"	3.50(88.9)	.083(2.11)	.120(3.05)
4"	4.50(114.3)	.083(2.11)	.120(3.05)
6"	6.62(168.3)	.109(2.77)	.134(3.40)

### NOTES THE DIMENSION TABLES

- All Dimensions are in inch and mm.
- Stainless steel schedule numbers from schedule 5S through schedule 80S are published in ANSI B36.19 for sizes through 12". The addition of the letter "S" after the schedule number identifies it as pertaining to stainless steel.

# Pipe Size Fittings

Part for ASTM A270 tubes

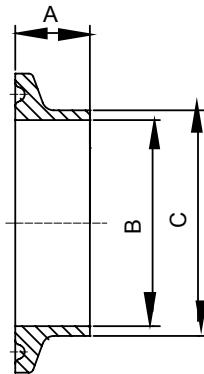
Finish: OD: Semi bright. ID: Mirror  
Connections: Welding ends



1.1

## 14WMV Schedule 5S Short Weld Ferrules

Basic Ordering Number: 5409

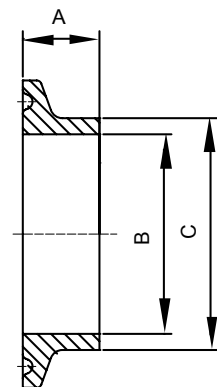


NO.	Size	A		B		C	
		inch	mm	inch	mm	inch	mm
5409 0100	1"	0.5	12.7	1.185	30.1	1.315	33.4
5409 0150	1.5"	0.5	12.7	1.77	45.0	1.9	48.3
5409 0200	2"	0.5	12.7	2.245	57.0	2.375	60.3
5409 0250	2.5"	0.5	12.7	2.709	68.8	2.875	73.0
5409 0300	3"	0.5	12.7	3.334	84.7	3.5	88.9
5409 0400	4"	0.625	15.9	4.334	110.1	4.5	114.3
5409 0600	6"	0.875	22.2	6.407	162.7	6.625	168.3

\*\*T304 and T316L are available.

## 14WMX Schedule 10S Short Weld Ferrules

Basic Ordering Number: 5410

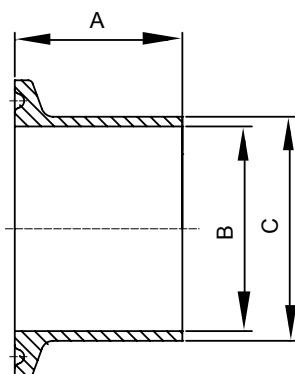


NO.	Size	A		B		C	
		inch	mm	inch	mm	inch	mm
5410 0100	1"	0.5	12.7	1.097	27.9	1.315	33.4
5410 0150	1.5"	0.5	12.7	1.682	42.7	1.9	48.3
5410 0200	2"	0.5	12.7	2.157	54.8	2.375	60.3
5410 0250	2.5"	0.5	12.7	2.635	66.9	2.875	73.0
5410 0300	3"	0.5	12.7	3.26	82.8	3.5	88.9
5410 0400	4"	0.625	15.9	4.26	108.2	4.5	114.3
5410 0600	6"	0.875	22.2	6.35	161.3	6.625	168.3

\*\*T304 and T316L are available.

## L14AM7V Schedule 5S Long Weld Ferrules

Basic Ordering Number: 5411



NO.	Size	A		B		C	
		inch	mm	inch	mm	inch	mm
5411 0100	1"	1.125	28.6	1.185	30.1	1.315	33.4
5411 0150	1.5"	1.125	28.6	1.77	45.0	1.9	48.3
5411 0200	2"	1.125	28.6	2.245	57.0	2.375	60.3
5411 0250	2.5"	1.125	28.6	2.709	68.8	2.875	73.0
5411 0300	3"	1.125	28.6	3.334	84.7	3.5	88.9
5411 0400	4"	1.125	28.6	4.334	110.1	4.5	114.3
5411 0600	6"	1.5	38.1	6.407	162.7	6.625	168.3

\*\*T304 and T316L are available.

\*\*All measurements are in millimeters (mm)  
Conversion to inches, 25.4mm=1inch

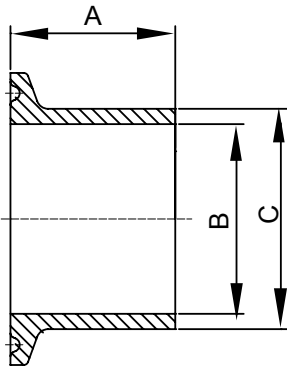
# Pipe Size Fittings

Part for ASTM A270 tubes

Finish: OD: Semi bright. ID: Mirror  
Connections: Welding ends



## L14AMX Schedule 10S Long Weld Ferrules

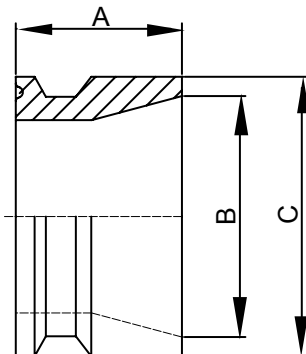


Basic Ordering Number: 5412

NO.	Size	A		B		C	
		inch	mm	inch	mm	inch	mm
5412 0100	1"	1.125	28.6	1.097	27.9	1.315	33.4
5412 0150	1.5"	1.125	28.6	1.682	42.7	1.9	48.3
5412 0200	2"	1.125	28.6	2.157	54.8	2.375	60.3
5412 0250	2.5"	1.125	28.6	2.635	66.9	2.875	73.0
5412 0300	3"	1.125	28.6	3.26	82.8	3.5	88.9
5412 0400	4"	1.125	28.6	4.26	108.2	4.5	114.3
5412 0600	6"	1.5	38.1	6.35	161.3	6.625	168.3

\*\*T304 and T316L are available.

## 19MPX Sanitary Clamp x Schedule 10S Pipe Adapters

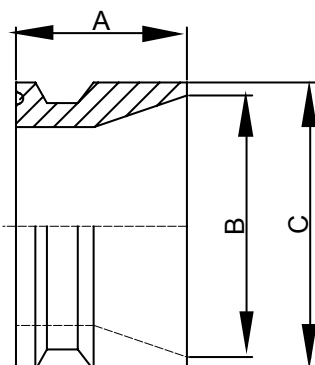


Basic Ordering Number: 5413

NO.	Size	A		B		C	
		inch	mm	inch	mm	inch	mm
5413 0100	1"	1.125	28.6	1.097	27.9	1.315	33.4
5413 0150	1.5"	1.125	28.6	1.682	42.7	1.9	48.3
5413 0200	2"	1.125	28.6	2.157	54.8	2.375	60.3
5413 0250	2.5"	1.125	28.6	2.635	66.9	2.875	73.0
5413 0300	3"	1.125	28.6	3.26	82.8	3.5	88.9
5413 0400	4"	1.125	28.6	4.26	108.2	4.5	114.3

\*\*T304 and T316L are available.

## 19MPV Sanitary Clamp x Schedule 5S Pipe Adapters



Basic Ordering Number: 5414

NO.	Size	A		B		C	
		inch	mm	inch	mm	inch	mm
5414 0100	1"	1.125	28.6	1.185	30.1	1.315	33.4
5414 0150	1.5"	1.125	28.6	1.77	45.0	1.9	48.3
5414 0200	2"	1.125	28.6	2.245	57.0	2.375	60.3
5414 0250	2.5"	1.125	28.6	2.709	68.8	2.875	73.0
5414 0300	3"	1.125	28.6	3.334	84.7	3.5	88.9
5414 0400	4"	1.125	28.6	4.334	110.1	4.5	114.3

\*\*T304 and T316L are available.

NOTE! Treatment: Annealed.

\*\*All measurements are in millimeters (mm)  
Conversion to inches, 25.4mm=1inch

# Pipe Size Fittings

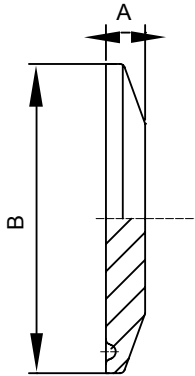
Part for ASTM A270 tubes

Finish: OD: Semi bright. ID: Mirror  
Connections: Welding ends



1.1

## 16AMV Schedule 5S and 10S Solid End Caps

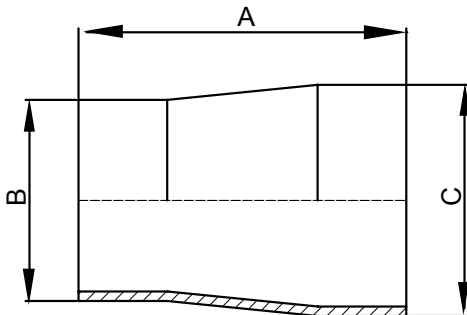


Basic Ordering Number: 5415

NO.	Size	A		B	
		inch	mm	inch	mm
5415 0100	1"	0.25	6.4	1.984	50.4
5415 0150	1.5"	0.25	6.4	2.516	63.9
5415 0200	2"	0.25	6.4	3.047	77.4
5415 0250	2.5"	0.25	6.4	3.579	90.9
5415 0300	3"	0.312	7.9	4.125	104.8
5415 0400	4"	0.312	7.9	5.125	130.2
5415 0600	6"	0.437	11.1	7.195	182.8

\*\*T304 and T316L are available.

## 19WX Tube O.D. Weld x Schedule 10S Pipe Adapters

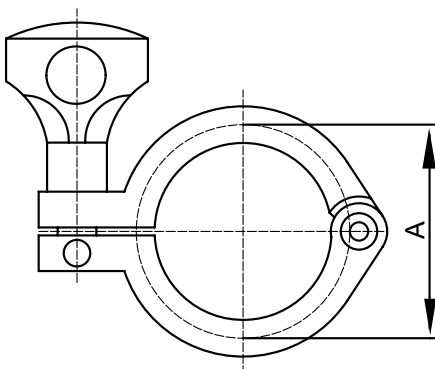


Basic Ordering Number: 5416

NO.	Size	A		B		C	
		inch	mm	inch	mm	inch	mm
5416 0050	0.5"	1.5	38.1	0.5	12.70	0.84	21.34
5416 0075	0.75"	2	50.8	0.75	19.05	1.05	26.67
5416 0100	1"	2	50.8	1	25.40	1.315	33.40
5416 0150	1.5"	2.5	63.5	1.5	38.10	1.9	48.26
5416 0200	2"	2.5	63.5	2	50.80	2.375	60.33
5416 0250	2.5"	2.5	63.5	2.5	63.50	2.875	73.03
5416 0300	3"	2.5	63.5	3	76.20	3.5	88.90
5416 0400	4"	3	76.2	4	101.60	4.5	114.30

\*\*T304 and T316L are available.

## 13MHHV Schedule 5S and 10S Single Pin Heavy Duty Clamps



Basic Ordering Number: 5417

NO.	Size	A	
		inch	mm
5417 0100	1"	2.122	53.9
5417 0150	1.5"	2.654	67.4
5417 0200	2"	3.185	80.9
5417 0250	2.5"	3.717	94.4
5417 0300	3"	4.263	108.3
5417 0400	4"	5.263	133.7
5417 0600	6"	7.5	190.5

\*\*T304 and T316L are available.

\*\*All measurements are in millimeters (mm)  
Conversion to inches, 25.4mm=1inch

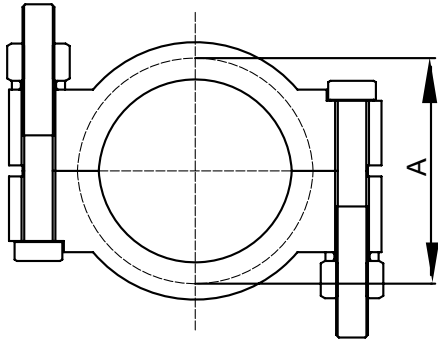
# Pipe Size Fittings

Part for ASTM A270 tubes

Finish: OD: Semi bright. ID: Mirror  
Connections: Welding ends



## 13MHPV Schedule 5S and 10S Bolted Clamps

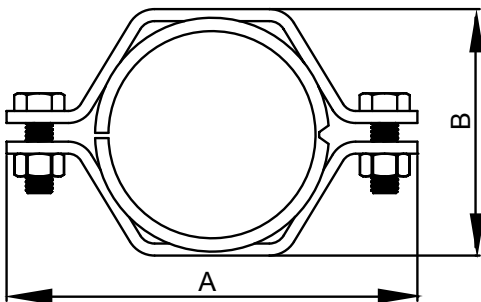


Basic Ordering Number: 5418

NO.	Size	A	
		inch	mm
5418 0100	1"	2.046	52.0
5418 0150	1.5"	2.578	65.5
5418 0200	2"	3.11	79.0
5418 0250	2.5"	3.46	87.9
5418 0400	4"	5.188	131.8

\*\*T304 and T316L are available.

## 24PV PIPE Hex Hanger with PVC

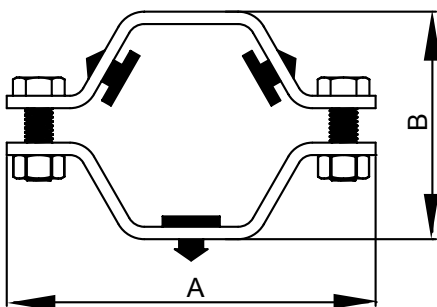


Basic Ordering Number: 5419

NO.	Size	A		B	
		inch	mm	inch	mm
5419 0100	1"	3.625	92.1	2.125	54.0
5419 0150	1.5"	4.312	109.5	2.625	66.7
5419 0200	2"	4.875	123.8	3.125	79.4
5419 0250	2.5"	4.812	122.2	3.125	79.4
5419 0300	3"	6	152.4	4.25	108.0
5419 0400	4"	7.5	190.5	5.625	142.9
5419 0600	6"	9.75	247.7	7.375	187.3

\*\*T304 and T316L are available.

## 24RV Hex Hanger with Rubber Grommets



Basic Ordering Number: 5420

NO.	Size	A		B	
		inch	mm	inch	mm
5420 0100	1"	3.625	92.1	2.125	54.0
5420 0150	1.5"	3.625	92.1	2.125	54.0
5420 0200	2"	4.312	109.5	2.625	66.7
5420 0250	2.5"	4.875	123.8	3.125	79.4
5420 0300	3"	5.375	136.5	3.625	92.1
5420 0400	4"	6.562	166.7	4.75	120.7
5420 0600	6"	9	228.6	6.625	168.3

\*\*T304 and T316L are available.

NOTE! Treatment: Annealed.

\*\*All measurements are in millimeters (mm)  
Conversion to inches, 25.4mm=1inch