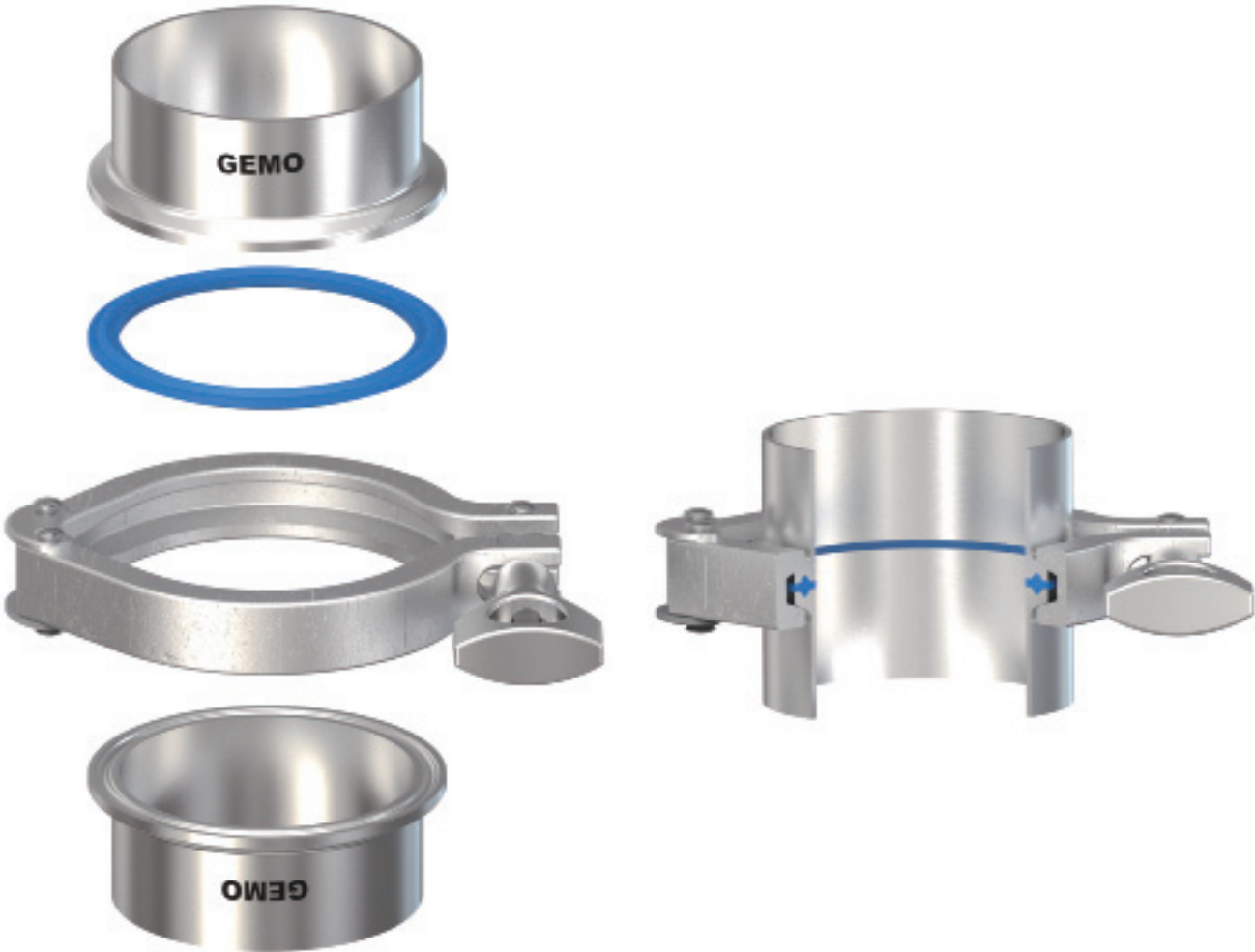


1.2

# CLAMP UNION DIN32676

Clamp ferrule, acc. To DIN 32676



A13MHM Single heavy duty clamp in page 16 can apply to DIN32676.  
EACH FITTINGS PACKAGING HAS A BARCODE

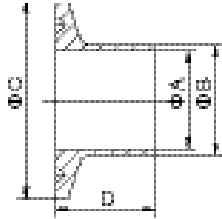
# CLAMP UNIONS DIN32676

Part for DIN tubes

Finish: OD: Semi bright. ID: Semi bright  
Connections: Welding ends



## D14AM Ferrule

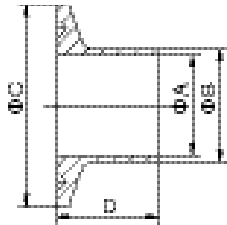


### Basic Ordering Number: 6029

NO.	DN	A	B	C	D
6029 01000	10	10	13	34	18
6029 01500	15	16	19	34	18
6029 02000	20	20	23	34	18
6029 02500	25	26	29	50.5	21.5
6029 03200	32	32	35	50.5	21.5
6029 04000	40	38	41	50.5	21.5
6029 05000	50	50	53	64	21.5
6029 06500	65	66	70	91	28
6029 08000	80	81	85	106	28
6029 10000	100	100	104	119	28
6029 12500	125	125	129	155	28
6029 15000	150	150	154	183	28
6029 20000	200	200	204	233.5	28

\*\*1.4301 and 1.4404 are available.

## N14AM Ferrule

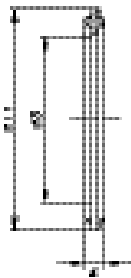


### Basic Ordering Number: 6030

NO.	DN	A	B	C	D
6030 01000	10	9	12	34	18
6030 01500	15	15	18	34	18
6030 02000	20	19	22	34	18
6030 02500	25	25	28	50.5	21.5
6030 03200	32	31	34	50.5	21.5
6030 04000	40	37	40	50.5	21.5
6030 05000	50	49	52	64	21.5

\*\*1.4301 and 1.4404 are available.

## 40MP Gasket



### Basic Ordering Number: 6031

NO.	DN	d3	d11	S
6031 01000	10	10.2	34	5.5
6031 01500	15	16.2	34	5.5
6031 02000	20	20.2	34	5.5
6031 02500	25	26.2	50.5	5.5
6031 03200	32	32.2	50.5	5.5
6031 04000	40	38.2	50.5	5.5
6031 05000	50	50.2	64	5.5
6031 06500	65	66.2	91	5.5
6031 08000	80	81.2	106	5.5
6031 10000	100	100.2	119	5.5
6031 08000	150	150	183	5.5
6031 10000	200	200	233.5	5.5

\*\*Silicone, EPDM, FPM and PTFE are available.

NOTE!

\*\*All measurements are in millimeters (mm)  
Conversion to inches, 25.4mm=1inch

# CLAMP UNIONS DIN32676

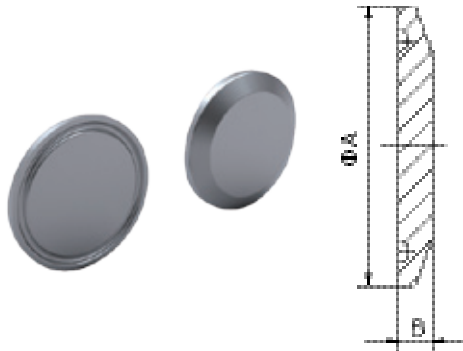
Part for DIN tubes

Finish: OD: Semi bright. ID: Semi bright  
Connections: Welding ends



1.2

## 16AMP Solid End Cap

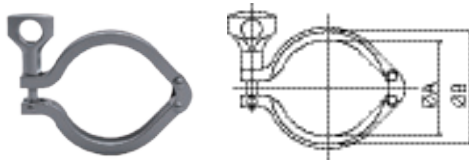


### Basic Ordering Number: 6032

NO.	DN	A	B
6032 01020	10-20	34	6.4
6032 02540	25-40	50.5	6.4
6032 05000	50	64.0	6.4
6032 06500	65	91.0	6.4
6032 08000	80	106.0	7.9
6032 10000	100	119.0	7.9
6032 12500	125	155.0	11.1
6032 15000	150	183.0	11.1
6032 20000	200	233.5	11.1

\*\*1.4301 and 1.4404 are available.

## 13MHHM Double Hinge Heavy Duty Clamp



### Basic Ordering Number: 6033

NO.	DN	A	B
6033 02540	25-40	44.4	53.6
6033 05000	50	57.8	67
6033 06500	65	84	94.2
6033 08000	80	99	109.2
6033 10000	100	110	122.2
6033 12500	125	144	159
6033 15000	150	172	187
6033 20000	200	222.5	237.5

\*\*Only 1.4301 is available.

NOTE!

\*\*All measurements are in millimeters (mm)  
Conversion to inches, 25.4mm=1inch

## P&E Flow Technology Profile

P&E Flow Technology is provider of professional products for the fluid industry and related solutions.

We are committed to brew processing, beverage processing, Dairy and Foodstuff processing, pharmaceutical industry, water treatment works, Bio-engineering and fluid technology industry

## P&E Flow Technology Brands

**CKAN**

**ZIMANI**

**GEMO**

**Meatier**

**Shst**

How to contact P&E Flow Technology  
[www.pestainless.com](http://www.pestainless.com)

GEMO Products Services  
Please visit and contact us:  
[www.gemoindustries.com](http://www.gemoindustries.com)

Technical Support  
[Tech@gemoindustries.com](mailto:Tech@gemoindustries.com)

Service  
[Info@gemoindustries.com](mailto:Info@gemoindustries.com)

Dealer Management  
[DealerManagement@gemoindustries.com](mailto:DealerManagement@gemoindustries.com)

## P&E Flow Technology

Address: Shacheng Street, WenZhou, P.R China.  
Post Code: 325000

Service, Sales  
Tel: +86-577-85826961  
Email: [Info@pestainless.com](mailto:Info@pestainless.com)

Dealer Management  
Email: [DealerManagement@pestainless.com](mailto:DealerManagement@pestainless.com)

Copyright © 2011 P&E

GEMO is a trademark registered and owned by P&E Flow Technology. P&E reserves the right to change specifications without prior notify action.