

HBV-SC/DR Series

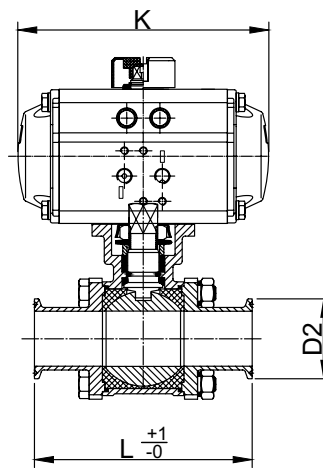
CKAN



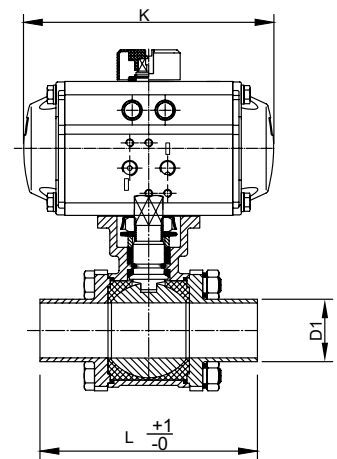
Sanitary Pneumatic Ball Valve with High platform



卫生级气动高平台球阀



Pneumatic Clamp Ball Valve
气动快装球阀



Pneumatic Weld Ball Valve
气动焊接球阀

SIZE	D1		D2		L		K	
	in	mm	in	mm	in	mm	in	mm
1/2"	0.50	12.7	0.99	25.2	3.54	90	5.53x2.38	140.5x60.5
3/4"	0.75	19.05	0.99	25.2	4.02	102.2	5.53x2.38	140.5x60.5
1"	1.00	25.4	1.99	50.5	4.54	115.3	5.53x2.38	140.5x60.5
1 1/2"	1.50	38.1	1.99	50.5	5.42	137.6	6.24x3.27	158.5x83
2"	2.00	50.8	2.52	64	6.14	156	6.24x3.27	158.5x83
2 1/2"	2.50	63.5	3.05	77.5	6.73	171	6.24x3.27	158.5x83
3"	3.00	76.2	3.58	91	7.74	196.7	8.29x3.72	210.5x94.5
4"	4.00	101.6	4.69	119	9.53	242	8.29x3.72	210.5x94.5

Note: pneumatic actuators can be installed on CKAN two or three
Low platform and high platform with ISO5211 standard