


# PLSV-M Series

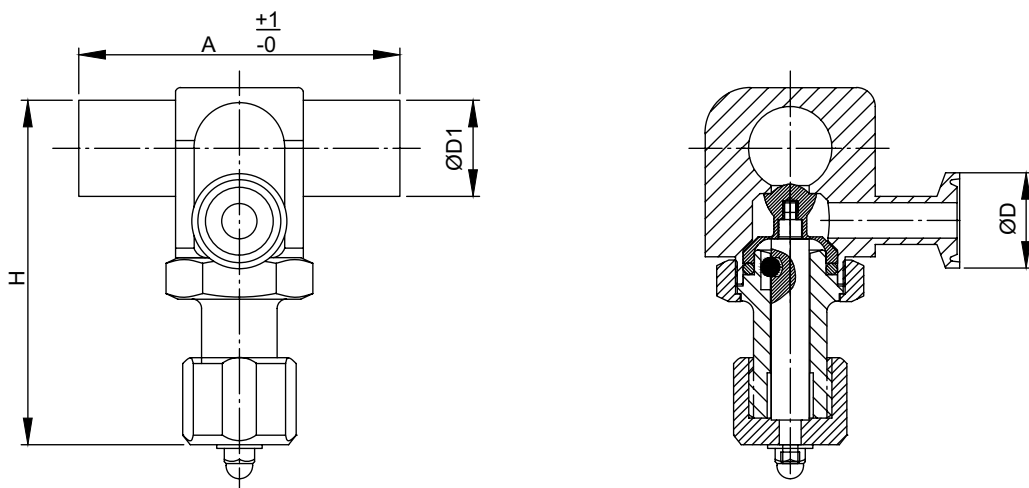
# CKAN

 Pipeline Sampling Valve

 管道取样阀



The PLSV-M sampling valve is used for aseptic product sampling from pipes or tanks. The PLSV-M® sampling valve prevents product contamination, thus keeping the process system free from germs. In combination with our VARIVENT® and VARINLINE® series the requirement of full CIP/SIP compatibility is easily met. As installation fitting for the PLSV-M® sampling valve the VARIVENT® and VARINLINE® access units are available.



SIZE	D1		D		H		A	
	in	mm	in	mm	in	mm	in	mm
1"	1.00	25.4	0.99	25.2	3.58	91	3.35	85
1 1/2"	1.50	38.1	0.99	25.2	4.25	108	3.46	88
2"	2.00	50.8	0.99	25.2	4.72	120	3.35	85