
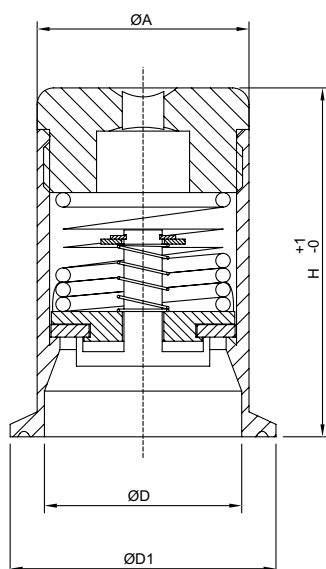


PVRV Series

CKAN

 Pressure/Vacuum Relief Valve

 排气真空一体阀



SIZE	D1		D		H		A	
	in	mm	in	mm	in	mm	in	mm
1 1/2"	1.99	50.5	1.53	38.9	3.31	84	1.73	44
2"	2.52	64	1.87	47.5	3.31	84	2.01	51
2 1/2"	3.05	77.5	2.28	57.9	3.74	95	2.48	63