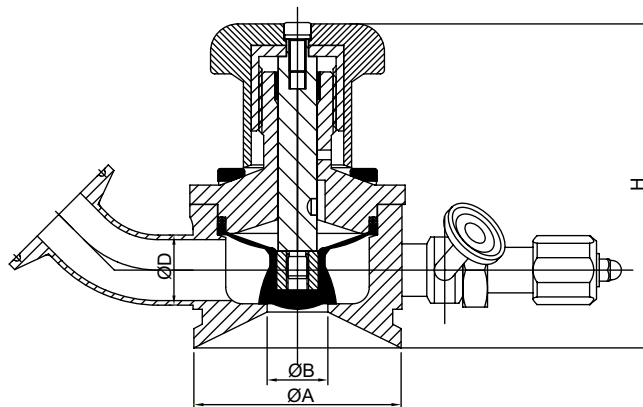


TBV-M Series

CKAN

 Tank Bottom Valve

 罐底阀



SIZE	D		A		B		H	
	in	mm	in	mm	in	mm	in	mm
1"	0.75	19.1	2.36	60.0	0.87	22.0	4.09	104.0
1 1/2"	1.00	25.4	2.95	75.0	0.63	16.0	4.61	117.0
2"	1.50	38.1	3.35	85.0	1.38	35.0	5.06	128.5
2 1/2"	2.00	50.8	4.33	110.0	1.86	47.3	5.83	148.0